

Limitem Remote Bulb Thermostats



357 D Limitem Remote
Thermostat with an average bulb.

Description

The 357 D Limitem Remote Bulb Thermostat is a pneumatically-operated thermostat that is gradual, direct acting with a remote or averaging bulb.

Features

- Direct acting only
- Remote or averaging bulbs for flexibility in installation
- Liquid-filled sensing element for rapid response to temperature changes
- Two-valve design reduces air waste
- Adjustable sensitivity

Applications

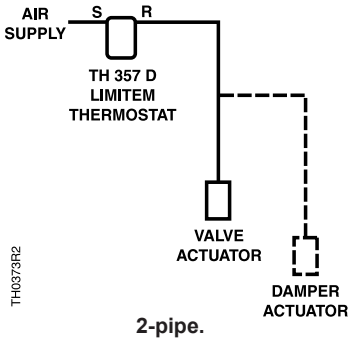
The 357 D Limitem Remote Bulb Thermostat provides primary monitoring and control for air handling units or a low limit control.

F-23

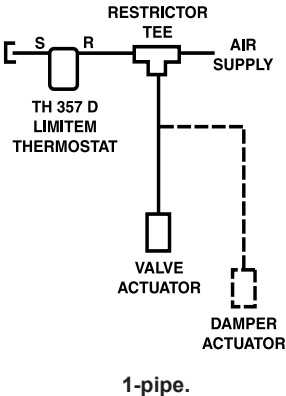
Pneumatics

Application Drawings

Dotted lines are alternative control schemes.



TH0373R2



357 D Limitem Remote Bulb Thermostat Specifications

Control Action	Direct	Maximum Ambient Temperature (case)	180°F (82°C)
Maximum Supply Air Pressure	30 psi (207 kPa)	Nominal Air Supply Pressure	18 to 25 psi (124 to 172 kPa)
Sensitivity Range (adjustable)	0.33 to 3.5 psi/°F (4 to 43 kPa/°C)	Mounting	Bracket supplied
Factory Sensitivity Setting	1.25 psi/°F (15 kPa/°C)	Air Connection	1/8" NPT
Bulb	Liquid-filled	Dimensions (Case)	1.75" Diameter x 3.5" H (44.5 mm Diameter x 88.9 mm H)
Temperature Response	0.5°F (0.3°C)	Shipping Weight	2.0 lb. (0.9 kg)
Dial Graduations	5°F (2.7°C), 2°C (3.6°F)		

357 D Limitem Remote Bulb Thermostat Product Ordering

Temperature Operating Range	Sensing Element	Capillary	Bulb	Maximum Ambient Temp.	Part No.
20 to 100°F (-6.7 to +37.8°C)	Remote Bulb	8' (2.4 m)	3/8" x 4' (0.95 mm x 10.2 cm)	201°F (94°C)	357-0003
5 to 145°F (1.7 to 62.8°C)	Averaging Bulb	40' (12.2 m)	3/32" x 15' (0.24 mm x 457 cm)	210°F (99°C)	357-0004
120 to 230°F (48.9 to 110°C)	Remote Bulb	40' (12.2 m)	3/8" x 4" (0.95 mm x 10.2 cm)	261°F (127°C)	357-0005
35 to 145°F (1.7 to 62.8°C)	Averaging Bulb	6" (15 cm)	3/32" x 8' (0.24 mm x 244 cm)	211°F (99.4°C)	357-0001